

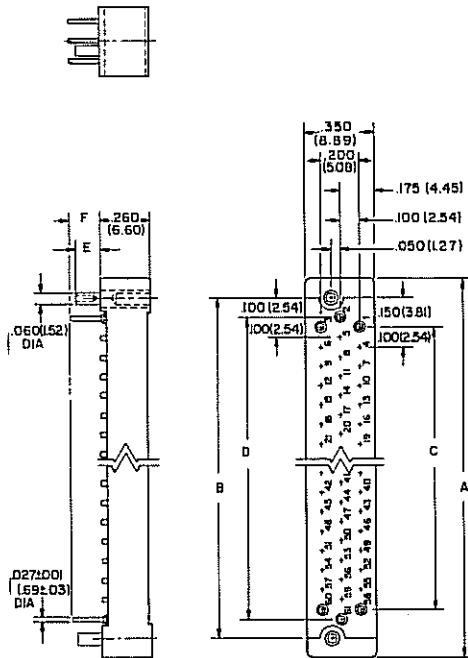
# 610-1 MIL-C-55302/7, /8

PRINTED CIRCUIT PIN & SOCKET CONNECTORS

100" (2.54MM) CONTACT SPACING  
3 ROWS OFFSET .050" (1.27MM)  
13,25,37,49,61 CONTACTS

## MIL-C-55302/8

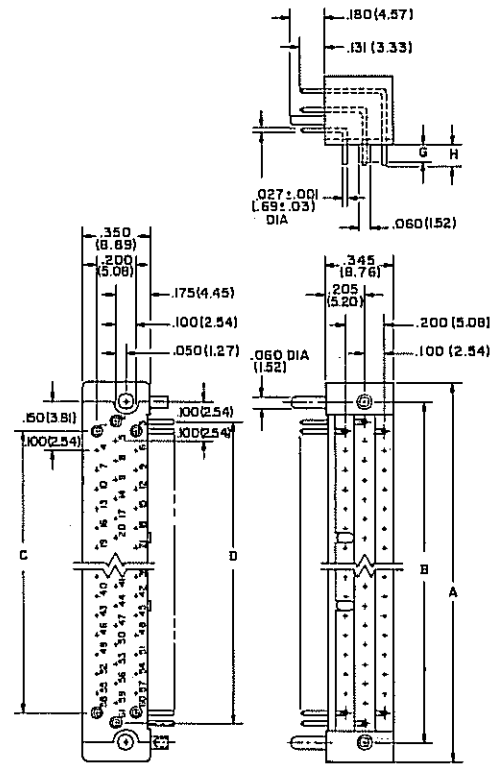
## MIL-C-55302/7



Straight-Thru Sockets

PART NO.	E	F
610-1-( )SD16	.128 (3.25)	.164 (4.17)
610-1-( )SD11	.090 (2.29)	.110 (2.79)

↑ Insert number of contacts  
(13, 25, 37, 49, 61)



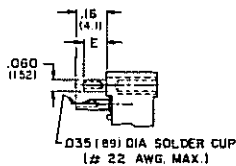
Right-Angle Pins

PART NO.	G	H
610-1-( )P	.090 (2.29)	.110 (2.79)
610-1-( )P1	.128 (3.25)	.140 (3.56)

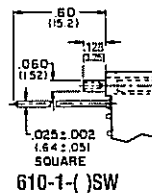
↑ Insert number of contacts  
(13, 25, 37, 49, 61)

### ALTERNATE TERMINALS ON RECEPTACLES

#### Solder Cup



#### Wrapping



610-1-( )SW

PART NO.	E
610-1-( )SC	.090 (2.29)
610-1-( )SC-1	.128 (3.25)

NO. OF CONTACTS	DIMENSIONS			
	A	B	C	D
13	.800 (20.32)	.600 (15.24)	.300 (7.62)	.400 (10.16)
25	1.200 (30.48)	1.000 (25.40)	.700 (17.78)	.800 (20.32)
37	1.600 (40.64)	1.400 (35.56)	1.100 (27.94)	1.200 (30.48)
49	2.000 (50.80)	1.800 (45.72)	1.500 (38.10)	1.600 (40.64)
61	2.400 (60.96)	2.200 (55.88)	1.900 (48.26)	2.000 (50.80)

### CROSS-REFERENCE

MIL P/N	CCC P/N	MIL P/N	CCC P/N
M55302/7-01	610-1-13P	M55302/8-01	610-1-13SD16
M55302/7-02	610-1-25P	M55302/8-02	610-1-25SD16
M55302/7-03	610-1-37P	M55302/8-03	610-1-37SD16
M55302/7-04	610-1-49P	M55302/8-04	610-1-49SD16
M55302/7-05	610-1-61P	M55302/8-05	610-1-61SD16

SPECIFICATIONS: Refer to page 9