

MIL-C-55302 / 64

UMR-MF Series

Male Body / Female Contact: .100" Centers — .050" offset

ORDERING INFORMATION

MIL-C-55302 / 64

C **26** **F**

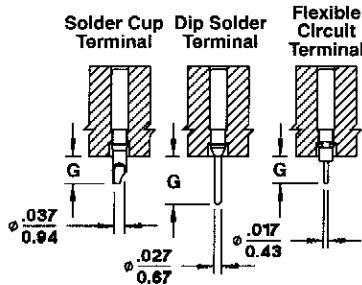
— = STANDARD
INSERTION
FORCE
CONTACT
L = LOW
INSERTION
FORCE
CONTACT

CONTACT
TERMINATIONS:
A B C E F
(See bottom chart)

NUMBER OF
CONTACTS:
10-70

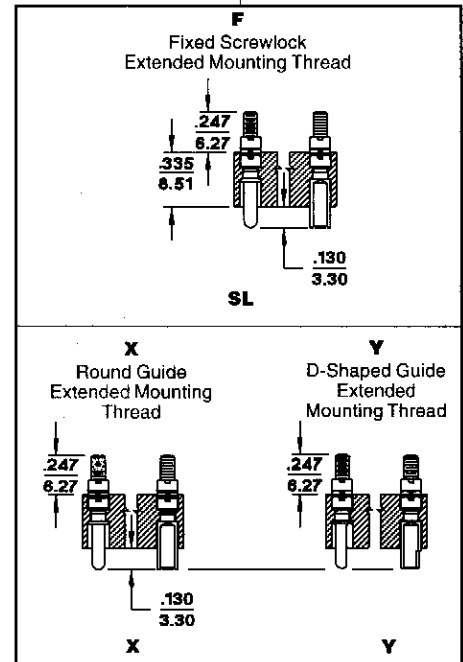
TYPE (F) OF
MOUNTING
HARDWARE

AVAILABLE CONTACTS



UMR / UER -
FEMALE CONTACTS

Contact Style	Terminal Type	Contact Term		Extension G ±.010
		CCC	MIL-C	
Female	Solder Cup	0	A	.100 (2.54)
	Dip Solder	2	B	.140 (3.56)
	Dip Solder	3	C	.172 (4.37)
	Flexible Circuit	5	E	.058 (1.47)
	Flexible Circuit	6	F	.100 (2.54)



Designation UMR

RYTON
POLYPHENYLENE
SULFIDE
MIL-M-24519
TYPE GST-40F
COLOR BLACK
STANDARD

026

NUMBER OF
CONTACTS:
10-70

MF

BODY / CON-
TACT STYLE
DESIGNATION:
CONTACT MF -
MALE BODY -
FEMALE SOCKET
CONTACT
CLOSED ENTRY

3

CONTACT.
TERMINATION:
0, 2, 3
5, 6

SL

TYPE OF
MOUNTING
HARDWARE.
OTHER TYPES
SHOWN ON
PG. 24



Continental Connector Company, Subsidiary Of ASC Group, Inc.

53 La France Avenue ■ Bloomfield, New Jersey ■ 07003-5632 ■ Phone: (973) 429-8500 ■ FAX: (973) 743-2510