

# MIL-C-55302 / 64

## UMR-MF Series

## Male Body / Female Contact: .100" Centers — .050" offset

**Description:** Straight through socket connector without mounting ears.  
 .100" (2.54) centers  
 .050" (1.27) offset

**Contacts:** 10-70

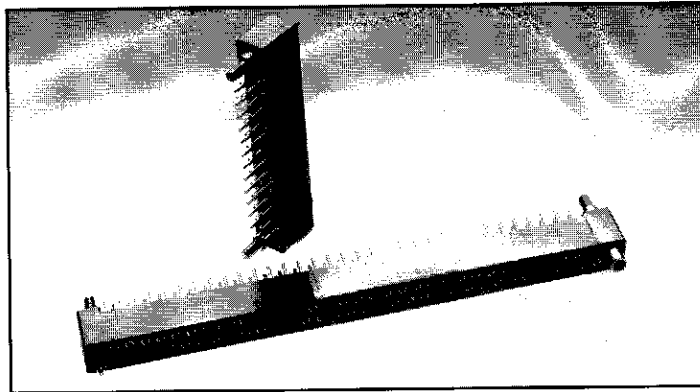
**Hardware:** See page 21

**Contact Termination:** See page 21

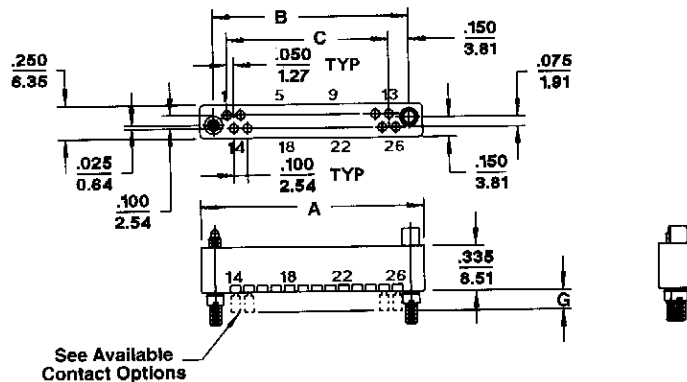
**Polarization**

**Configuration:** See page 22

**Suggested Mounting:** See below



### OUTLINE

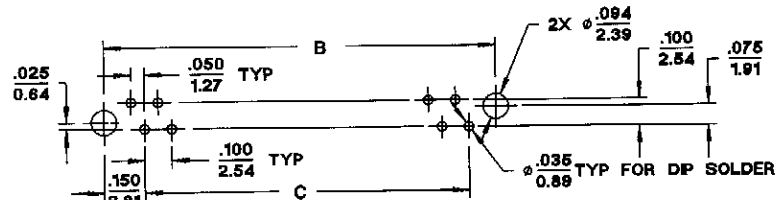


See Available Contact Options

UMR026MF2SL shown

### MOUNTING LAYOUT

MIL-C-55302 / 64



Recommended Hole Pattern Component Side For Fixed Hardware

### DIMENSIONS

Dimensions are for reference only. Metric equivalents in (mm) are given for general information.

# Contacts	A	B	C	# Contacts	A	B	C
10	.850 (21.59)	.650 (16.51)	.400 (10.16)	44	2.550 (64.77)	2.350 (59.69)	2.100 (53.34)
14	1.050 (26.67)	.850 (21.59)	.600 (15.24)	50	2.850 (72.39)	2.650 (67.31)	2.400 (60.96)
20	1.350 (34.29)	1.150 (29.21)	.900 (22.86)	54	3.050 (77.47)	2.850 (72.39)	2.600 (66.04)
24	1.550 (39.37)	1.350 (34.29)	1.100 (27.94)	56	3.150 (80.01)	2.950 (74.93)	2.700 (68.58)
26	1.650 (41.91)	1.450 (36.83)	1.200 (30.48)	60	3.350 (85.09)	3.150 (80.01)	2.900 (73.66)
30	1.850 (46.99)	1.650 (41.91)	1.400 (35.56)	66	3.650 (92.71)	3.450 (87.63)	3.200 (81.28)
36	2.150 (54.61)	1.950 (49.53)	1.700 (43.18)	70	3.850 (97.79)	3.650 (92.71)	3.400 (86.36)
40	2.350 (59.69)	2.150 (54.61)	1.900 (48.26)				



**Continental Connector Company, Subsidiary Of ASC Group, Inc.**

53 La France Avenue ■ Bloomfield, New Jersey ■ 07003-5632 ■ Phone: (973) 429-8500 ■ FAX: (973) 743-2510