

MIL-C-55302 / 63

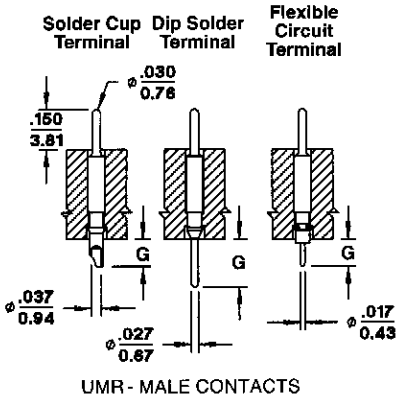
UMR-FM Series

Female Body / Male Contact: .100" Centers — .050" offset

ORDERING INFORMATION

MIL-C-55302 / 63

AVAILABLE CONTACTS



Contact Style	Terminal Type	Contact Term		Extension G ±.010
		CCC	MIL-C	
Male	Solder Cup	0	A	.100 (2.54)
	Dip Solder	2	B	.140 (3.56)
	Dip Solder	3	C	.172 (4.37)
	Flexible Circuit	5	D	.058 (1.47)
	Flexible Circuit	6	E	.100 (2.54)

C

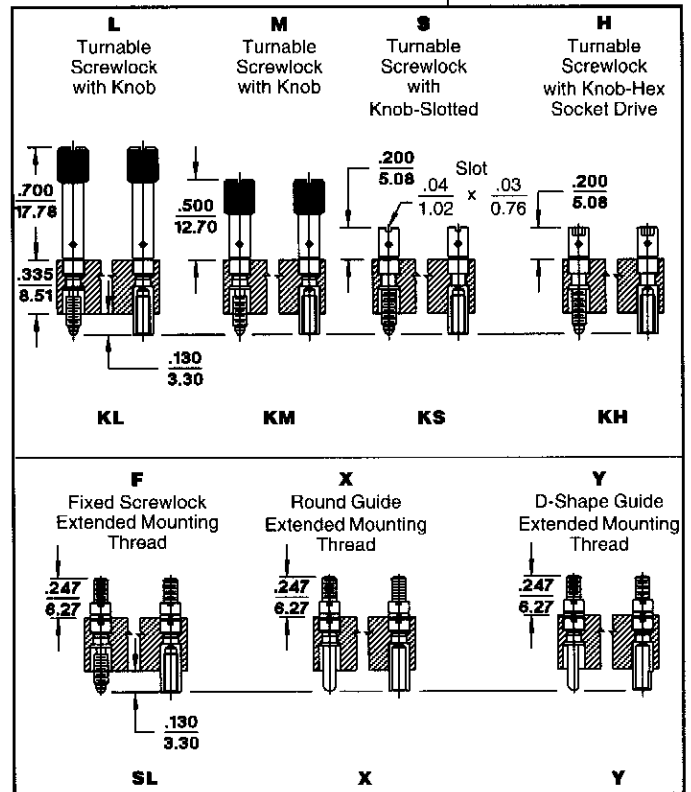
CONTACT TERMINATIONS:
A B C D E
(See bottom chart)

26

NUMBER OF CONTACTS:
10-70

H

TYPE (H) OF MOUNTING HARDWARE



Designation UMR

RYTON
POLYPHENYLENE
SULFIDE
MIL-M-24519
TYPE GST-40F
COLOR BLACK
STANDARD

026

NUMBER OF CONTACTS:
10-70

FM

BODY / CONTACT STYLE DESIGNATION:
FM-FEMALE BODY-MALE PIN CONTACTS

3

CONTACT TERMINATION:
0, 2, 3
5, 6

KH

TYPE OF MOUNTING HARDWARE.
OTHER TYPES SHOWN ON PG. 24



Continental Connector Company, Subsidiary Of ASC Group, Inc.

53 La France Avenue ■ Bloomfield, New Jersey ■ 07003-5632 ■ Phone: (973) 429-8500 ■ FAX: (973) 743-2510