

MIL-C-55302 / 63

UMR-FM Series

Female Body / Male Contact: .100" Centers — .050" offset

Description: Straight through male connector without mounting ears.
 .100" (2.54) centers
 .050" (1.27) offset

Contacts: 10-70

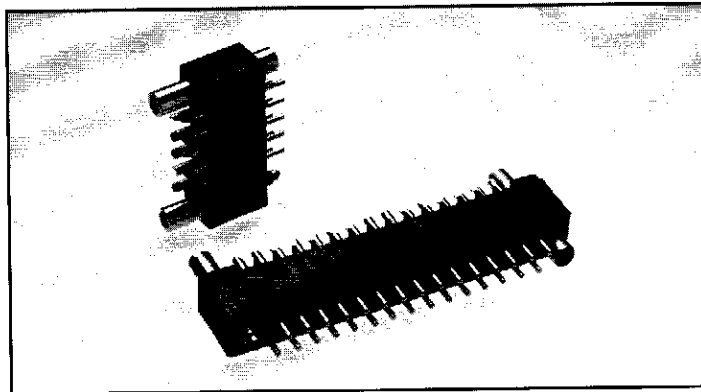
Hardware: See page 19

Contacts Termination: See page 19

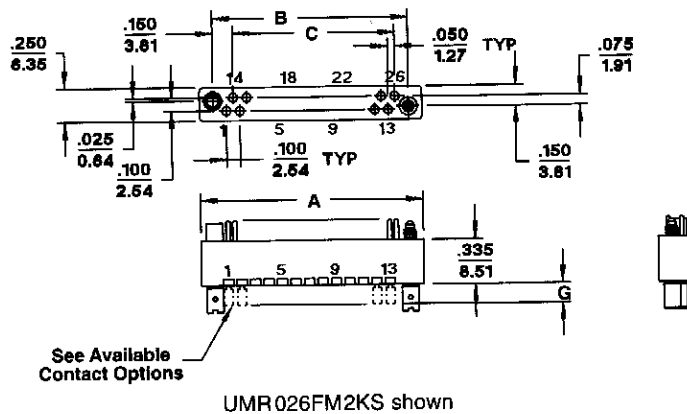
Polarization: See page 19

Configuration: See page 22

Suggested Mounting: See below

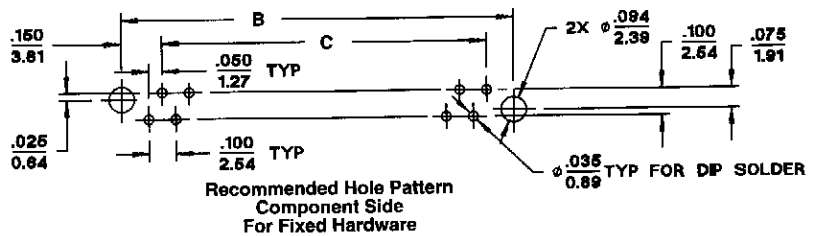


OUTLINE



MOUNTING LAYOUT

MIL-C-55302 / 63



DIMENSIONS

Dimensions are for reference only. Metric equivalents in (mm) are given for general information.

# Con- tacts	A	B	C	# Con- tacts	A	B	C
10	.850 (21.59)	.650 (16.51)	.400 (10.16)	44	2.550 (64.77)	2.350 (59.69)	2.100 (53.34)
14	1.050 (26.67)	.850 (21.59)	.600 (15.24)	50	2.850 (72.39)	2.650 (67.31)	2.400 (60.96)
20	1.350 (34.29)	1.150 (29.21)	.900 (22.86)	54	3.050 (77.47)	2.850 (72.39)	2.600 (66.04)
24	1.550 (39.37)	1.350 (34.29)	1.100 (27.94)	56	3.150 (80.01)	2.950 (74.93)	2.700 (68.58)
26	1.650 (41.91)	1.450 (36.83)	1.200 (30.48)	60	3.350 (85.09)	3.150 (80.01)	2.900 (73.66)
30	1.850 (46.99)	1.650 (41.91)	1.400 (35.56)	66	3.650 (92.71)	3.450 (87.63)	3.200 (81.28)
36	2.150 (54.61)	1.950 (49.53)	1.700 (43.18)	70	3.850 (97.79)	3.650 (92.71)	3.400 (86.36)
40	2.350 (59.69)	2.150 (54.61)	1.900 (48.26)				



Continental Connector Company, Subsidiary Of ASC Group, Inc.

53 La France Avenue ■ Bloomfield, New Jersey ■ 07003-5632 ■ Phone: (973) 429-8500 ■ FAX: (973) 743-2510