

# MIL-C-55302 / 62

## UMR-MF Series

## Male Body / Female Contact: .100" Centers — .050" offset

**Description:** Straight through socket connector without mounting ears.  
 .100" (2.54) centers  
 .050" (1.27) offset

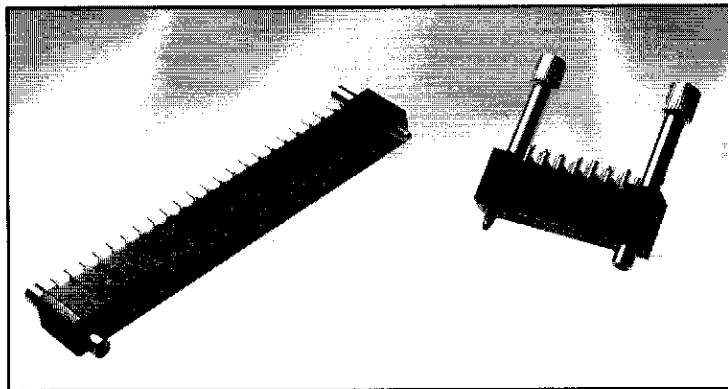
**Contacts:** 10-70

**Hardware:** See page 17

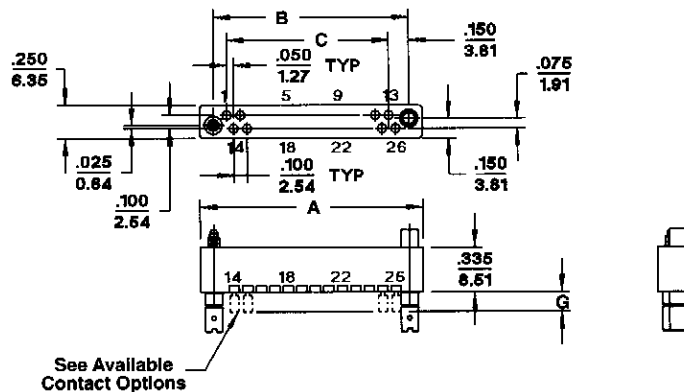
**Contact Termination:** See page 17

**Polarization Configuration:** See page 22

**Suggested Mounting:** See below



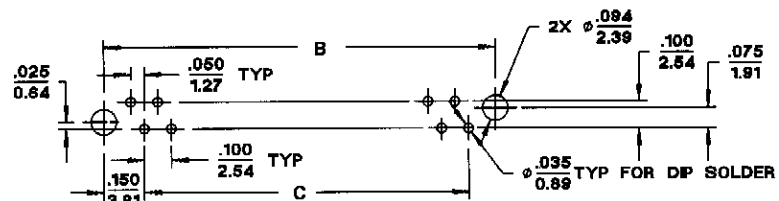
### OUTLINE



UMR026MF2KS shown

### MOUNTING LAYOUT

MIL-C-55302 / 62



Recommended Hole Pattern  
 Component Side  
 For Fixed Hardware

### DIMENSIONS

Dimensions are for reference only.  
 Metric equivalents in (mm) are given for general information.

# Contacts	A	B	C	# Contacts	A	B	C
10	.850 (21.59)	.650 (16.51)	.400 (10.16)	44	2.550 (64.77)	2.350 (59.69)	2.100 (53.34)
14	1.050 (26.67)	.850 (21.59)	.600 (15.24)	50	2.850 (72.39)	2.650 (67.31)	2.400 (60.96)
20	1.350 (34.29)	1.150 (29.21)	.900 (22.86)	54	3.050 (77.47)	2.850 (72.39)	2.600 (66.04)
24	1.550 (39.37)	1.350 (34.29)	1.100 (27.94)	56	3.150 (80.01)	2.950 (74.93)	2.700 (68.58)
26	1.650 (41.91)	1.450 (36.83)	1.200 (30.48)	60	3.350 (85.09)	3.150 (80.01)	2.900 (73.66)
30	1.850 (46.99)	1.650 (41.91)	1.400 (35.56)	66	3.650 (92.71)	3.450 (87.63)	3.200 (81.28)
36	2.150 (54.61)	1.950 (49.53)	1.700 (43.18)	70	3.850 (97.79)	3.650 (92.71)	3.400 (86.36)
40	2.350 (59.69)	2.150 (54.61)	1.900 (48.26)				



**Continental Connector Company, Subsidiary Of ASC Group, Inc.**

53 La France Avenue ■ Bloomfield, New Jersey ■ 07003-5632 ■ Phone: (973) 429-8500 ■ FAX: (973) 743-2510