

# MIL-C-55302 / 61

## URR-FM Series

## Female Body / Male Contact: .100" Centers — .050" offset

**Description:** Right angle male connector with mounting ears and flush mounted screwlock hardware. .100" (2.54) centers .050" (1.27) offset

**Contacts:** 10-70

**Hardware:** See page 15

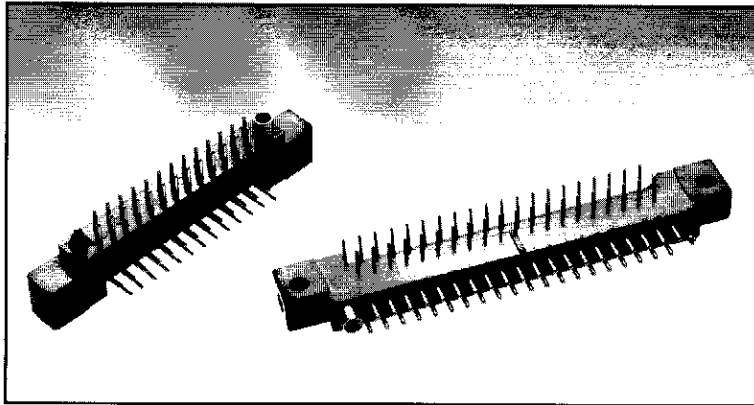
**Contact Termination:** See page 15

**Polarization:**

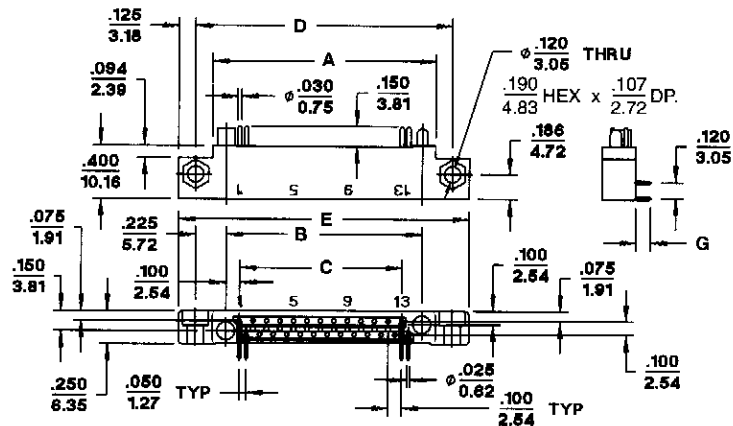
**Configuration:** See page 22

**Suggested Mounting:** See below

**UWR-FM:** Same as above but without mounting ears

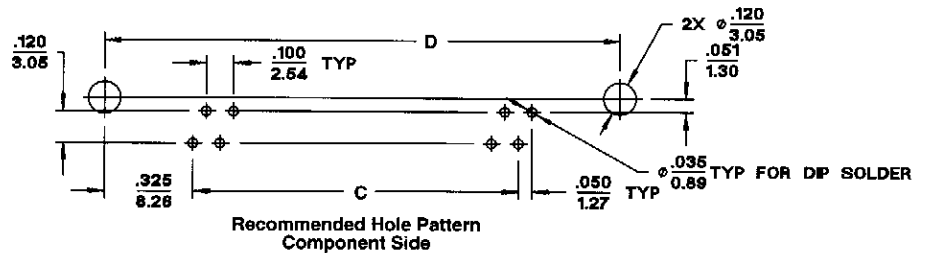


### OUTLINE



### MOUNTING LAYOUT

MIL-C-55302 / 61



### DIMENSIONS

Dimensions are for reference only. Metric equivalents in (mm) are given for general information.

| # Contacts | A                | B                | C                | D                | E                | # Contacts | A                | B                | C                | D                | E                | # Contacts | A                | B                | C                | D                 | E                 |
|------------|------------------|------------------|------------------|------------------|------------------|------------|------------------|------------------|------------------|------------------|------------------|------------|------------------|------------------|------------------|-------------------|-------------------|
| 10         | .850<br>(21.59)  | .650<br>(16.51)  | .400<br>(10.16)  | 1.100<br>(27.94) | 1.350<br>(34.29) | 30         | 1.850<br>(46.99) | 1.650<br>(41.91) | 1.400<br>(35.56) | 2.100<br>(53.34) | 2.350<br>(59.69) | 54         | 3.050<br>(77.47) | 2.850<br>(72.39) | 2.600<br>(66.04) | 3.300<br>(83.32)  | 3.550<br>(90.17)  |
| 14         | 1.050<br>(26.67) | .850<br>(21.59)  | .600<br>(15.24)  | 1.300<br>(33.02) | 1.550<br>(39.37) | 36         | 2.150<br>(54.61) | 1.950<br>(49.53) | 1.700<br>(43.18) | 2.400<br>(60.96) | 2.650<br>(67.31) | 56         | 3.150<br>(80.01) | 2.950<br>(74.93) | 2.700<br>(68.58) | 3.400<br>(86.36)  | 3.650<br>(92.71)  |
| 20         | 1.350<br>(34.29) | 1.150<br>(29.21) | .900<br>(22.86)  | 1.600<br>(40.64) | 1.850<br>(46.99) | 40         | 2.350<br>(59.69) | 2.150<br>(54.61) | 1.900<br>(48.26) | 2.600<br>(66.04) | 2.850<br>(72.39) | 60         | 3.350<br>(85.09) | 3.150<br>(80.01) | 2.900<br>(73.66) | 3.600<br>(91.44)  | 3.850<br>(97.79)  |
| 24         | 1.550<br>(39.37) | 1.350<br>(34.29) | 1.100<br>(27.94) | 1.800<br>(45.72) | 2.050<br>(52.07) | 44         | 2.550<br>(64.77) | 2.350<br>(59.69) | 2.100<br>(53.34) | 2.800<br>(71.12) | 3.050<br>(77.47) | 66         | 3.650<br>(92.71) | 3.450<br>(87.63) | 3.200<br>(81.28) | 3.900<br>(99.06)  | 4.150<br>(105.41) |
| 26         | 1.650<br>(41.91) | 1.450<br>(36.83) | 1.200<br>(30.48) | 1.900<br>(48.26) | 2.150<br>(54.61) | 50         | 2.850<br>(72.39) | 2.650<br>(67.31) | 2.400<br>(60.96) | 3.100<br>(78.74) | 3.350<br>(85.09) | 70         | 3.850<br>(97.79) | 3.650<br>(92.71) | 3.400<br>(86.36) | 4.100<br>(104.14) | 4.350<br>(110.49) |



**Continental Connector Company, Subsidiary Of ASC Group, Inc.**

53 La France Avenue ■ Bloomfield, New Jersey ■ 07003-5632 ■ Phone: (973) 429-8500 ■ FAX: (973) 743-2510