

**MIL-C-55302 / 56**

**UMR-MM Series**

**Male Body / Male Contact: .100" Centers — .050" offset**

**ORDERING INFORMATION**

**MIL-C-55302 / 56**

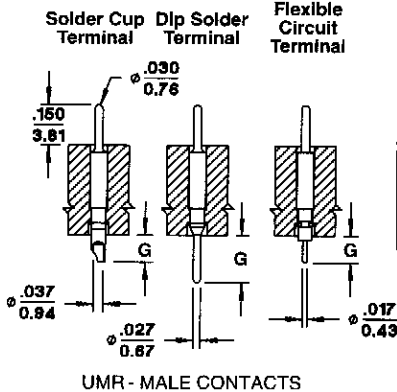
**C**

**26**

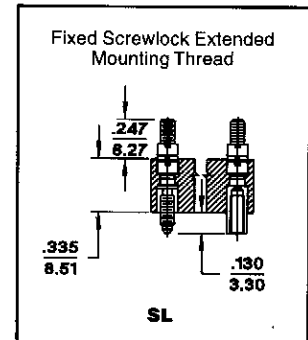
CONTACT TERMINATIONS:  
A B C E F  
(See bottom chart)

NUMBER OF CONTACTS:  
10 - 70

**AVAILABLE CONTACTS**



Contact Style	Terminal Type	Contact Term		Extension G ±.010
		CCC	MIL-C	
Male	Solder Cup	0	A	.100 (2.54)
	Dip Solder	2	B	.140 (3.56)
	Dip Solder	3	C	.172 (4.37)
	Flexible Circuit	5	E	.058 (1.47)
	Flexible Circuit	6	F	.100 (2.54)



**Designation UMR**

**026**

**MM**

**3**

**SL**

RYTON  
POLYPHENYLENE  
SULFIDE  
MIL-M-24519  
TYPE GST-40F  
COLOR BLACK  
STANDARD

NUMBER OF CONTACTS:  
10-70

BODY / CONTACT STYLE DESIGNATION:  
MM = MALE BODY-  
MALE PIN CONTACT

CONTACT TERMINATION:  
0, 2, 3  
5, 6

TYPE OF MOUNTING HARDWARE: SL  
OTHER TYPES SHOWN ON PG. 24



**Continental Connector Company, Subsidiary Of ASC Group, Inc.**

53 La France Avenue ■ Bloomfield, New Jersey ■ 07003-5632 ■ Phone: (973) 429-8500 ■ FAX: (973) 743-2510