

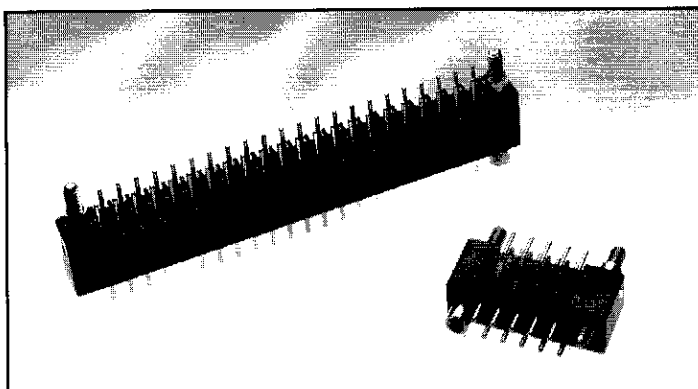
MIL-C-55302 / 56

UMR-MM Series

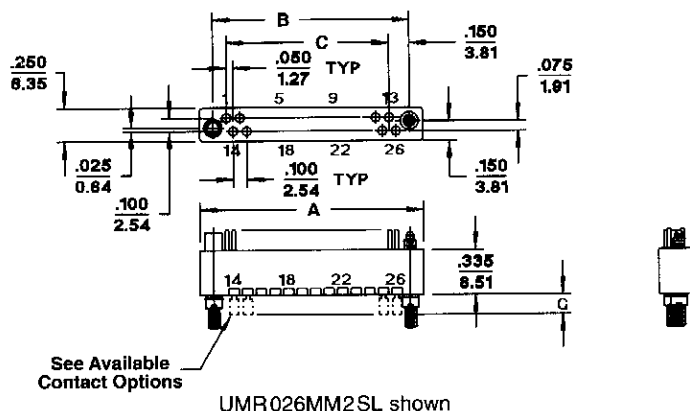
Male Body / Male Contact: .100" Centers — .050" offset

Description: Straight through male connector without mounting ears.
 .100" (2.54) centers
 .050" (1.27) offset

Contacts: 10-70
Hardware: See page 5
Contact Termination: See page 5
Polarization Configuration: See page 22
Suggested Mounting: See below

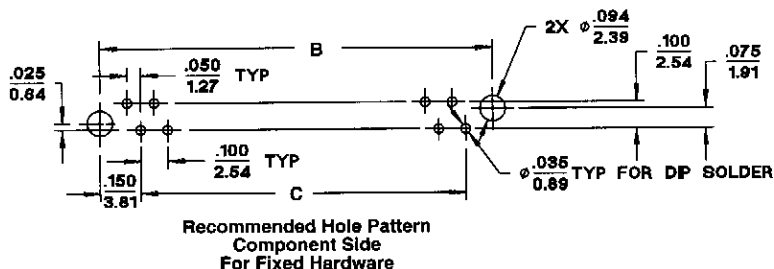


OUTLINE



MOUNTING LAYOUT

MIL-C-55302 / 56



DIMENSIONS

Dimensions are for reference only.
 Metric equivalents in (mm) are given for general information

# Contacts	A	B	C	# Contacts	A	B	C
10	.850 (21.59)	.650 (16.51)	.400 (10.16)	44	2.550 (64.77)	2.350 (59.69)	2.100 (53.34)
14	1.050 (26.67)	.850 (21.59)	.600 (15.24)	50	2.850 (72.39)	2.650 (67.31)	2.400 (60.96)
20	1.350 (34.29)	1.150 (29.21)	.900 (22.86)	54	3.050 (77.47)	2.850 (72.39)	2.600 (66.04)
24	1.550 (39.37)	1.350 (34.29)	1.100 (27.94)	56	3.150 (80.01)	2.950 (74.93)	2.700 (68.58)
26	1.650 (41.91)	1.450 (36.83)	1.200 (30.48)	60	3.350 (85.09)	3.150 (80.01)	2.900 (73.66)
30	1.850 (46.99)	1.650 (41.91)	1.400 (35.56)	66	3.650 (92.71)	3.450 (87.63)	3.200 (81.28)
36	2.150 (54.61)	1.950 (49.53)	1.700 (43.18)	70	3.850 (97.79)	3.650 (92.71)	3.400 (86.36)
40	2.350 (59.69)	2.150 (54.61)	1.900 (48.26)				



Continental Connector Company, Subsidiary Of ASC Group, Inc.
 53 La France Avenue ■ Bloomfield, New Jersey ■ 07003-5632 ■ Phone: (973) 429-8500 ■ FAX: (973) 743-2510