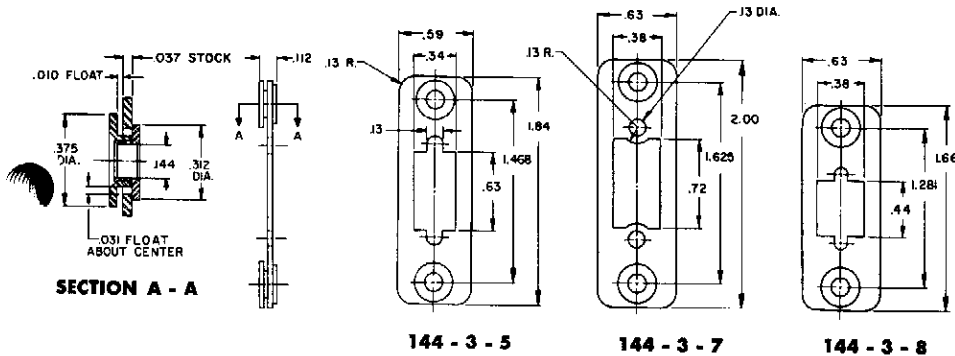


# SERIES 20 mounting plates

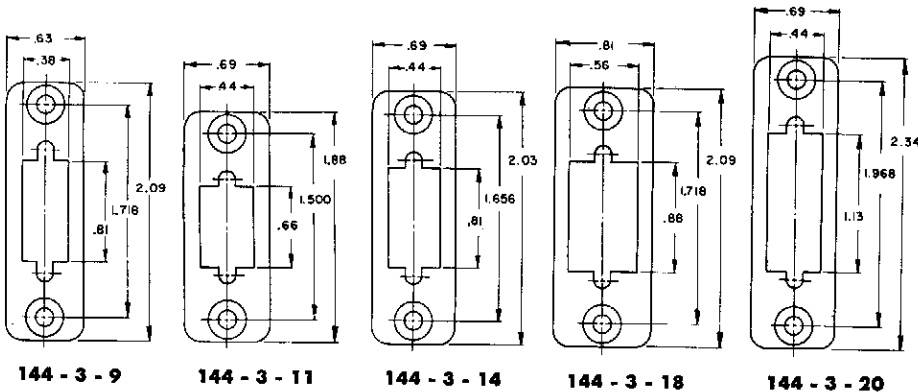
WITH FLOATING BUSHING\*



144-3-5

144-3-7

144-3-8



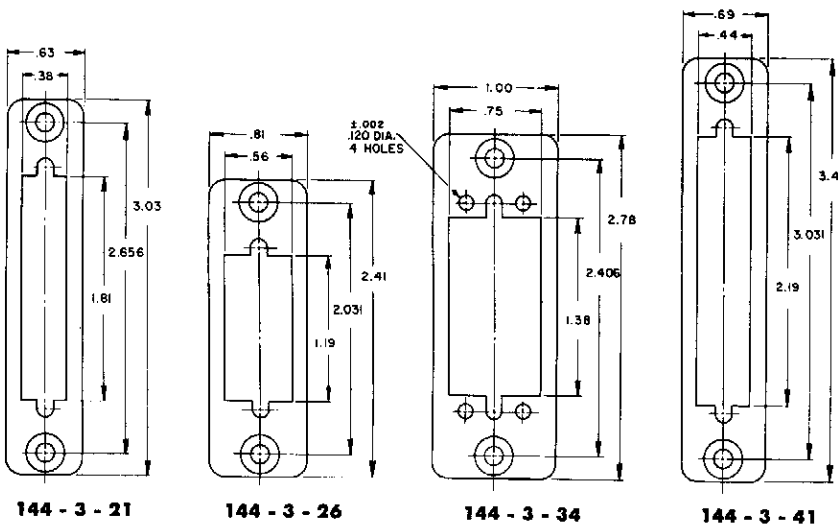
144-3-9

144-3-11

144-3-14

144-3-18

144-3-20

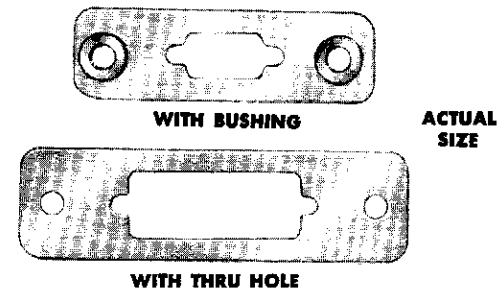


144-3-21

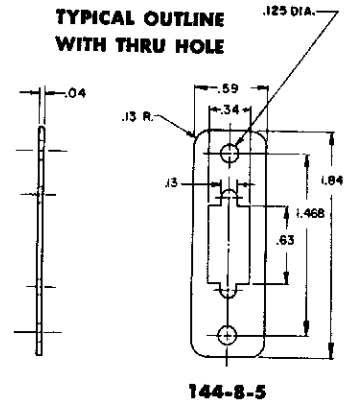
144-3-26

144-3-34

144-3-41



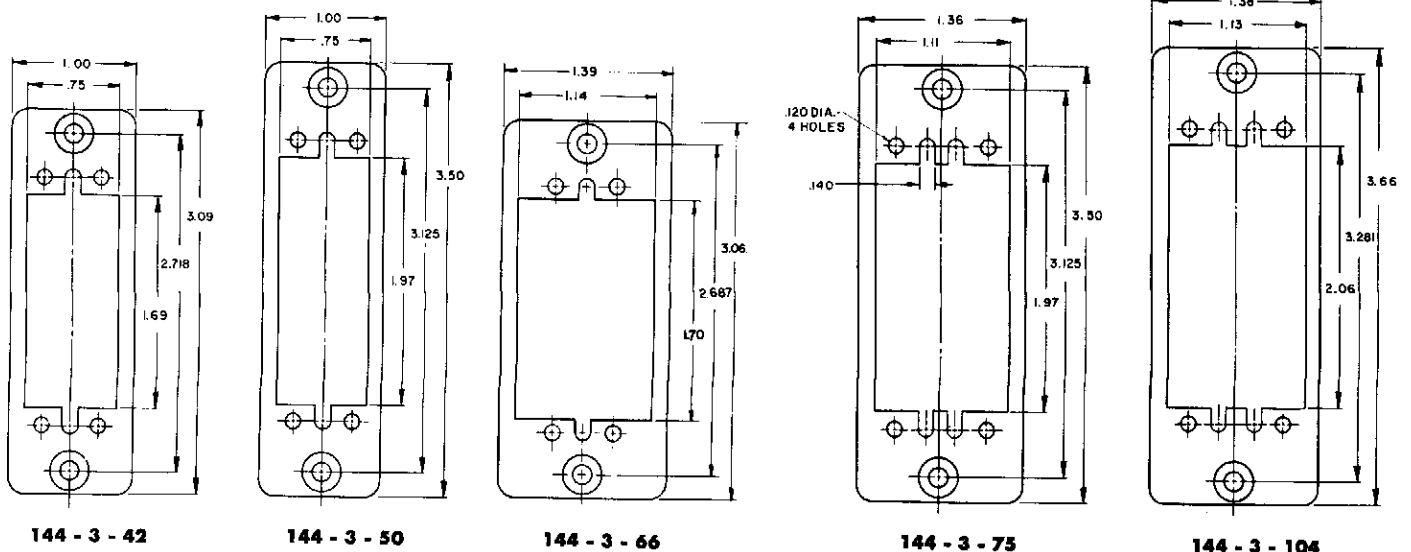
TYPICAL OUTLINE  
WITH THRU HOLE



144-8-5

Material is corrosion resistant steel, passivated. Last digits in part number indicate quantity of contacts in connector.

\*Also available with through hole only without bushing, basic part number 144-8.



144-3-42

144-3-50

144-3-66

144-3-75

144-3-104