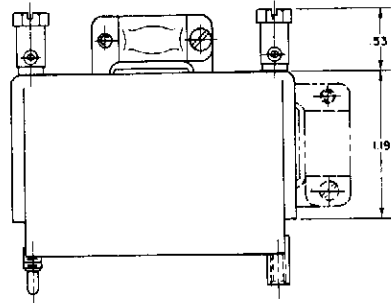
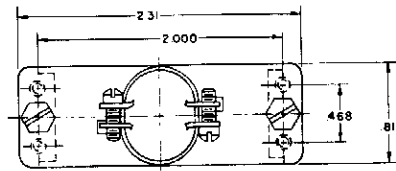


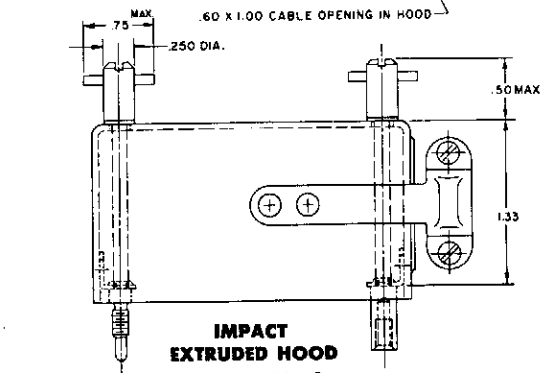
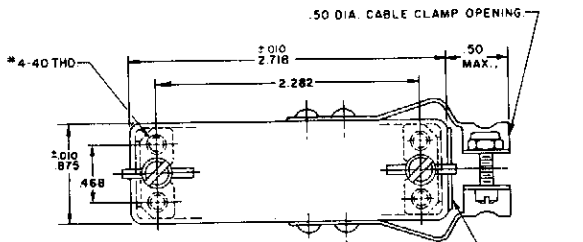
SERIES 20 hood and screwlock assembly

FIGURES A AND B SHOWN ON PAGE 20

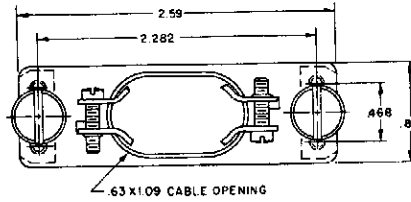


42 - 20KH (TOP CABLE OPENING .58 x .75)

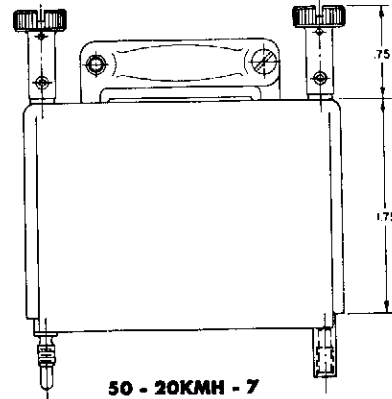
42 - 20KH - 1 (SIDE CABLE OPENING .44 x .59)



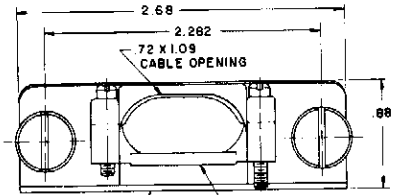
IMPACT
EXTRUDED HOOD
50 - 20KJH - 8



.63 x 1.09 CABLE OPENING

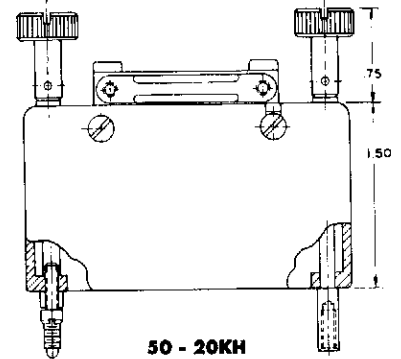


50 - 20KMH - 7

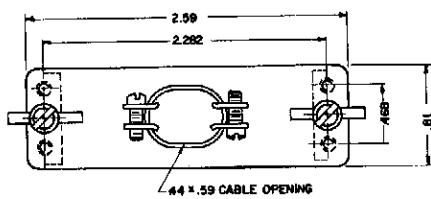


REMOVABLE
COVER PLATE

CABLE CLAMP REVERSIBLE
FOR SMALL CABLE
OPENING .20 x 1.09



50 - 20KH



.44 x .59 CABLE OPENING

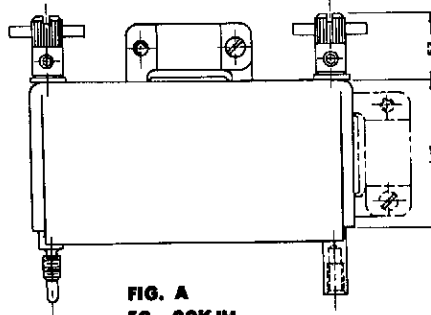
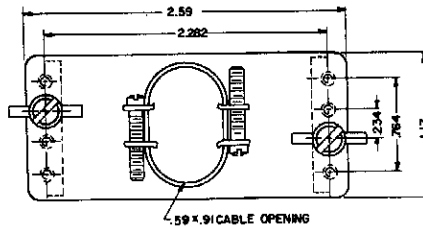


FIG. A
50 - 20KJH
50 - 20KJH - 1



.59 x .91 CABLE OPENING

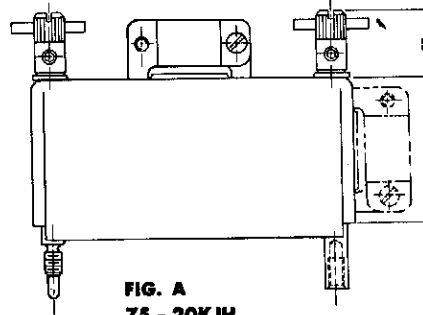
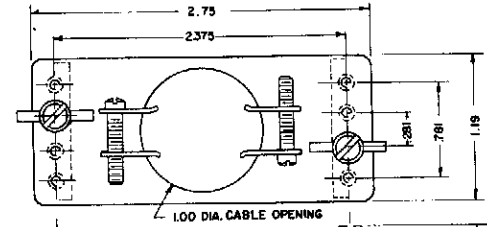


FIG. A
75 - 20KJH
75 - 20KJH - 1



1.00 DIA. CABLE OPENING

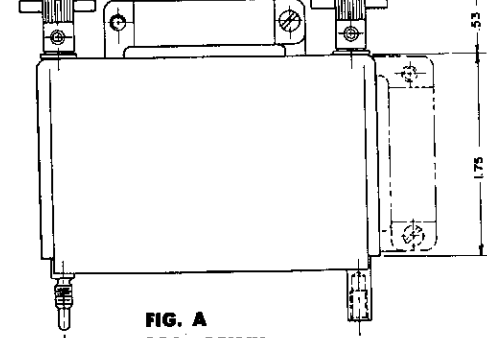


FIG. A
104 - 20KJH
104 - 20KJH - 1