

SERIES 20 hood and screwlock assembly

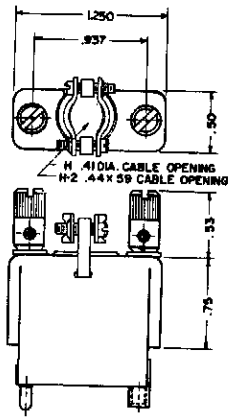


FIG. B
14 - 20KJH
14 - 20KJH - 2

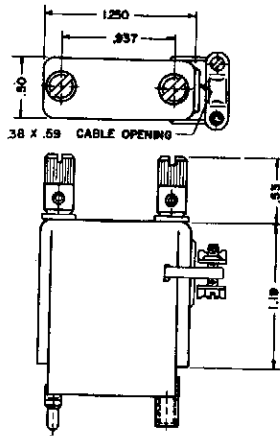


FIG. B
14 - 20KJH - 1

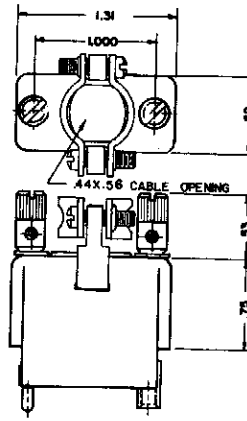


FIG. B
18 - 20KJH

FIGURES A AND B SHOWN ON PAGE 20

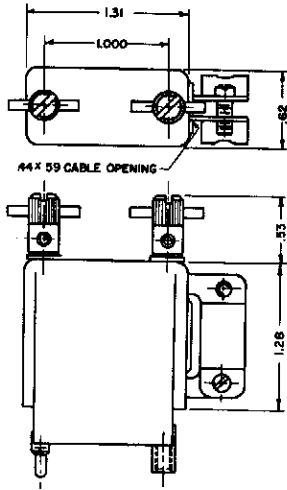


FIG. B
18 - 20KJH - 1

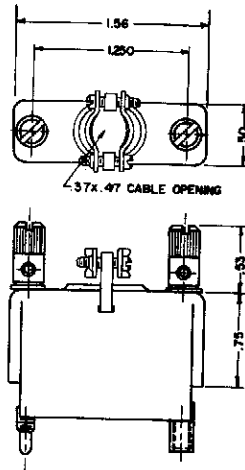


FIG. B
20 - 20KJH

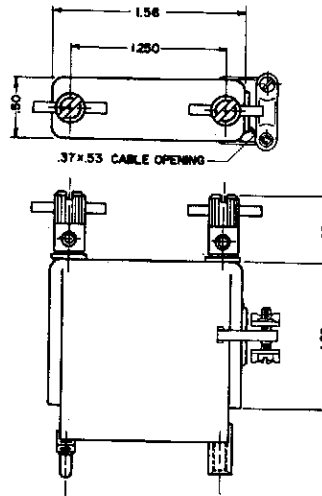


FIG. B
20 - 20KJH - 1

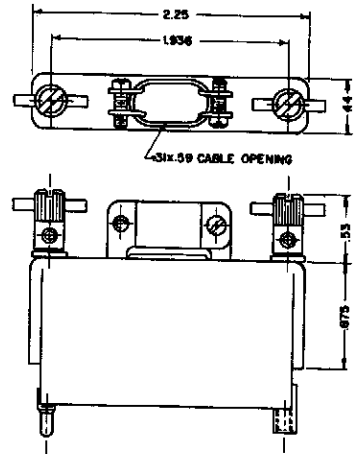


FIG. B
21 - 20KJH

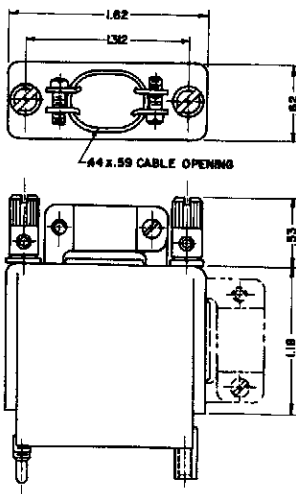


FIG. B
26 - 20KJH
26 - 20KJH - 1

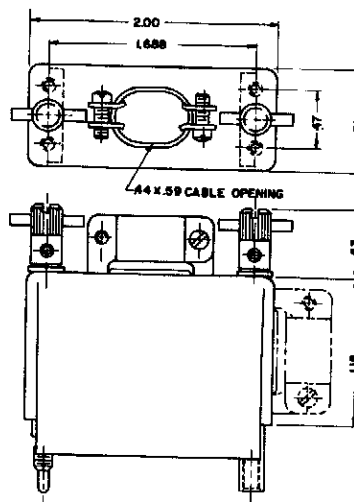


FIG. A
34 - 20KJH
34 - 20KJH - 1

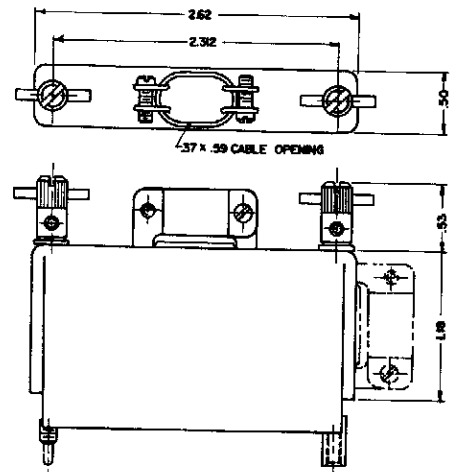


FIG. B
41 - 20KJH
41 - 20KJH - 1