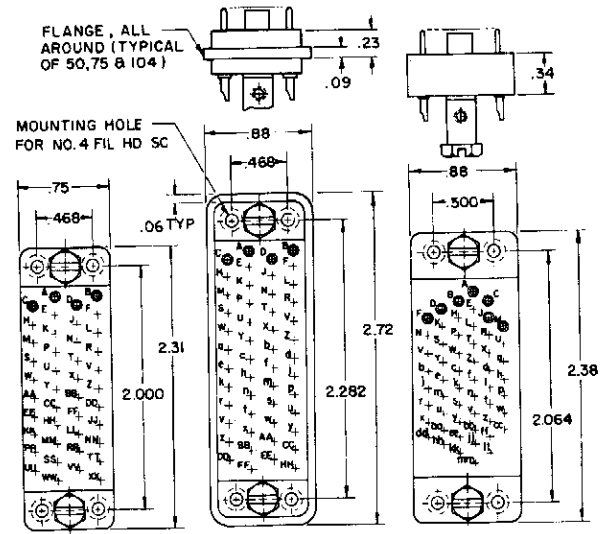
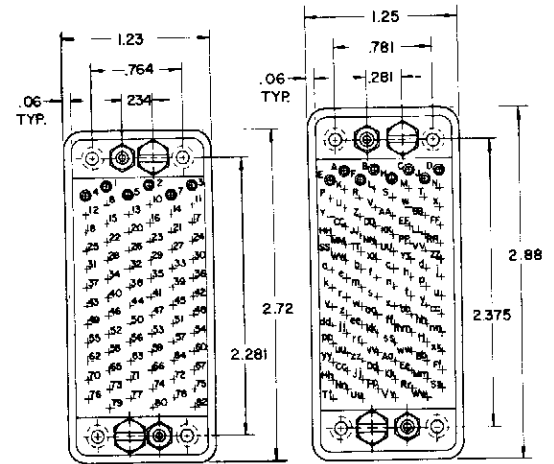


ACTUAL SIZE



42 - 20PSK 50 - 20PSK 55 - 20PSK
42 - 20SS 50 - 20SS 55 - 20SS



75 - 20PSK 104 - 20PSK
75 - 20SS 104 - 20SS

NOTES

1. Body Material: Glass reinforced Diallyl Phthalate Type GDI-30 per MIL-P-19833 add "GD" to part number when ordering — 7-20PGDSK).
2. Pin Contact Material: Gold plated brass.
3. Socket Contact Material: Gold plated phosphor bronze.
4. Unless otherwise specified all views shown are for wiring side of plug.
5. See page 23 for typical knobs available. Other knobs can be obtained on special order — write for details.