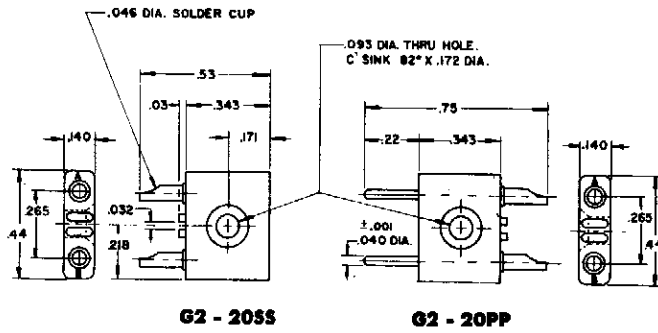
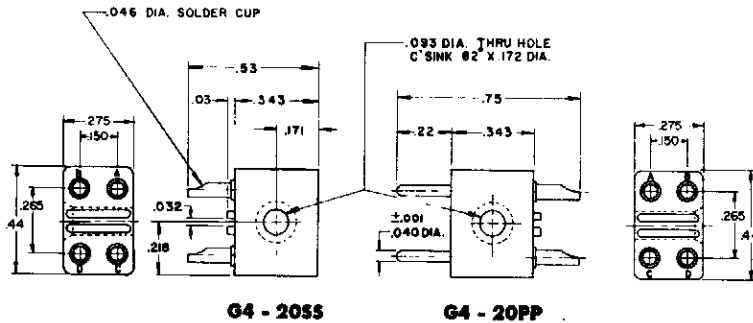


TYPE G-20 miniature connectors



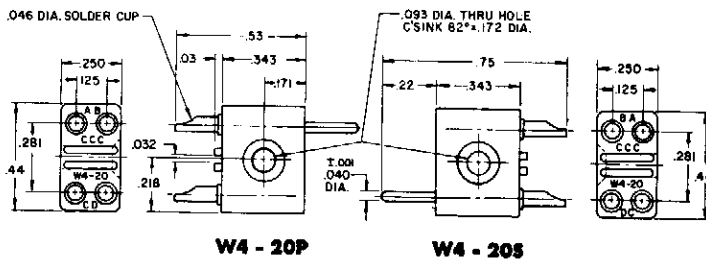
G2 - 20SS

G2 - 20PP



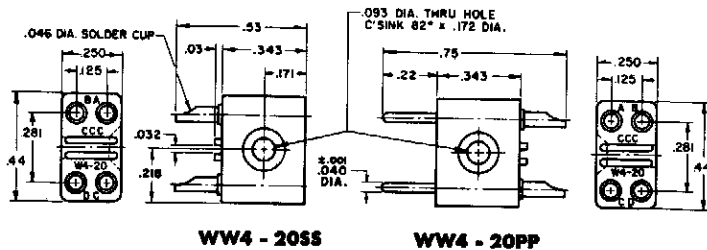
G4 - 20SS

G4 - 20PP



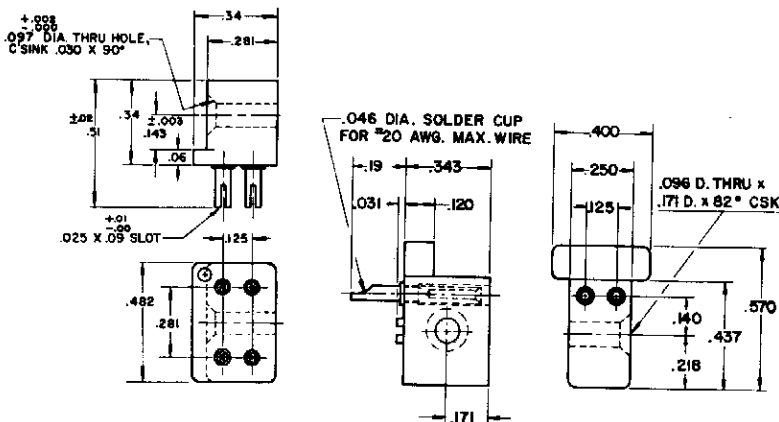
W4 - 20P

W4 - 20S



WW4 - 20SS

WW4 - 20PP



145 - 12 - 12

G4 - 20PP

W4 - 20P

G4 - 20SS

W4 - 20S

ACTUAL SIZE

ELECTRICAL AND MECHANICAL RATINGS

Voltage Rating:	Breakdown	Test
Pin-to-Contact		
All Size Level	1450V. RMS	950V. RMS
At 70,500 Ft.	450V. RMS	300V. RMS

Contact-to-Contact

All Size Level	3500V. RMS	2300V. RMS
At 70,500 Ft.	450V. RMS	425V. RMS

Current Rating:

5 Amps Continuous	7.5 Amps Max.
Minimum Creepage Between Contacts	.125"
Minimum Air Space Between Contacts	.093"
Contacts, Center-to-Center	.150"
Solder Cup	#20 AWG Wire

CONTINENTAL CONNECTORS